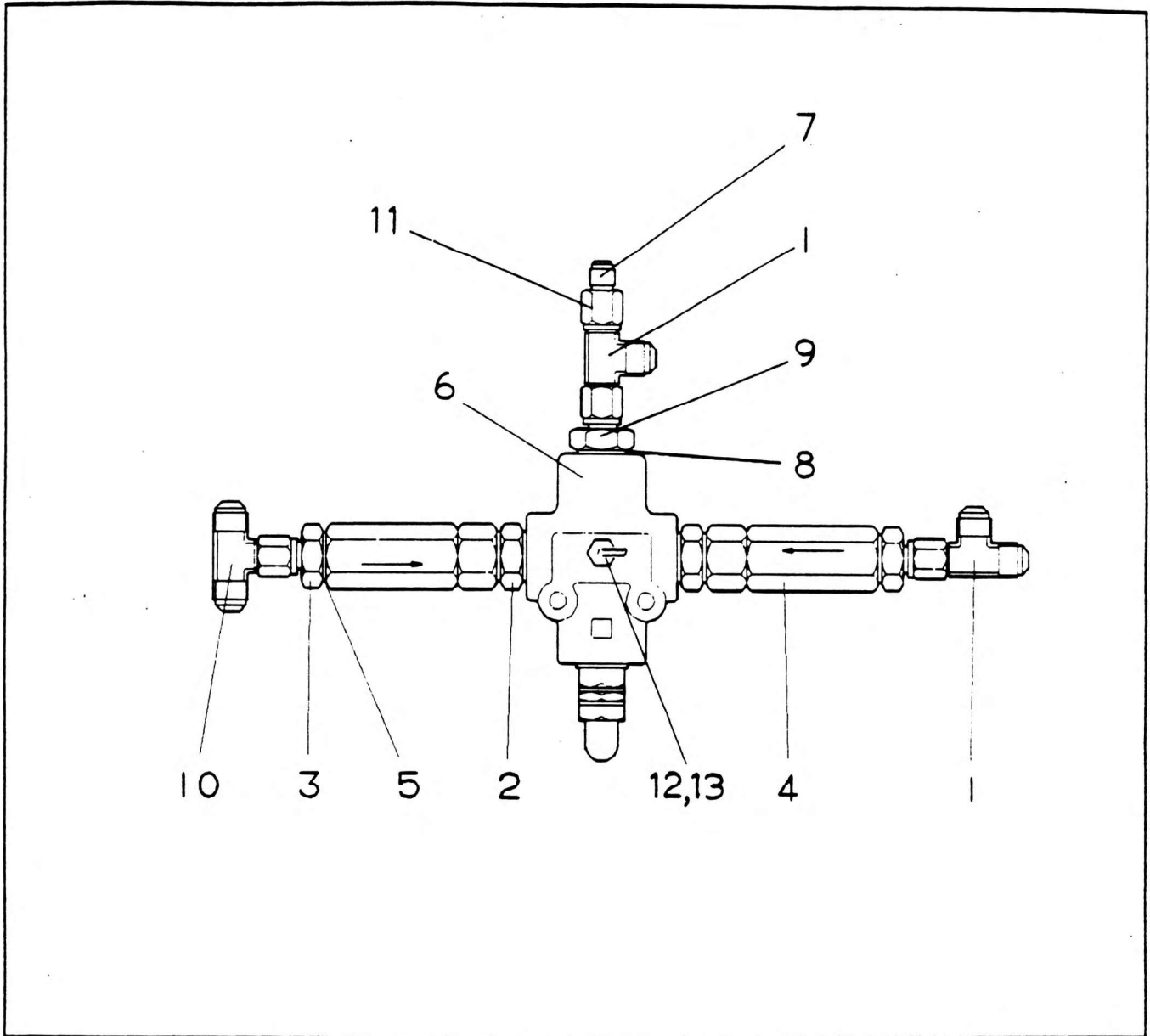


VALVE ASSEMBLY RELIEF



NO.	PART NO.	QTY.	DESCRIPTION	NO.	PART NO.	QTY.	DESCRIPTION
1	7-447-080834	2	Tee ½" M x ½" M x ½" F	13	7355201	1	Seal ½" BSP
2	35816	2	Adaptor ¾" x ½" BSP	+ See further breakdown in this group			
3	7-443-990913	2	Adaptor ½" ORFS x ½" BSP				
4	8936248	2	Valve Non Return				
5	7355302	4	Bonded Seal ½" BSP				
6 +	8943270	1	Valve Relief				
7	7-447-080413	1	Reducer				
8	7355401	3	Bonded Seal ¾" BSP				
9	7-443-991184	1	Adaptor ¾" BSP x ½" ORFS				
10	7-447-080835	1	Swivel Branch Tee ORFS				
11	7-447-080825	1	Nut Female				
12	8891527	1	Test Point				